

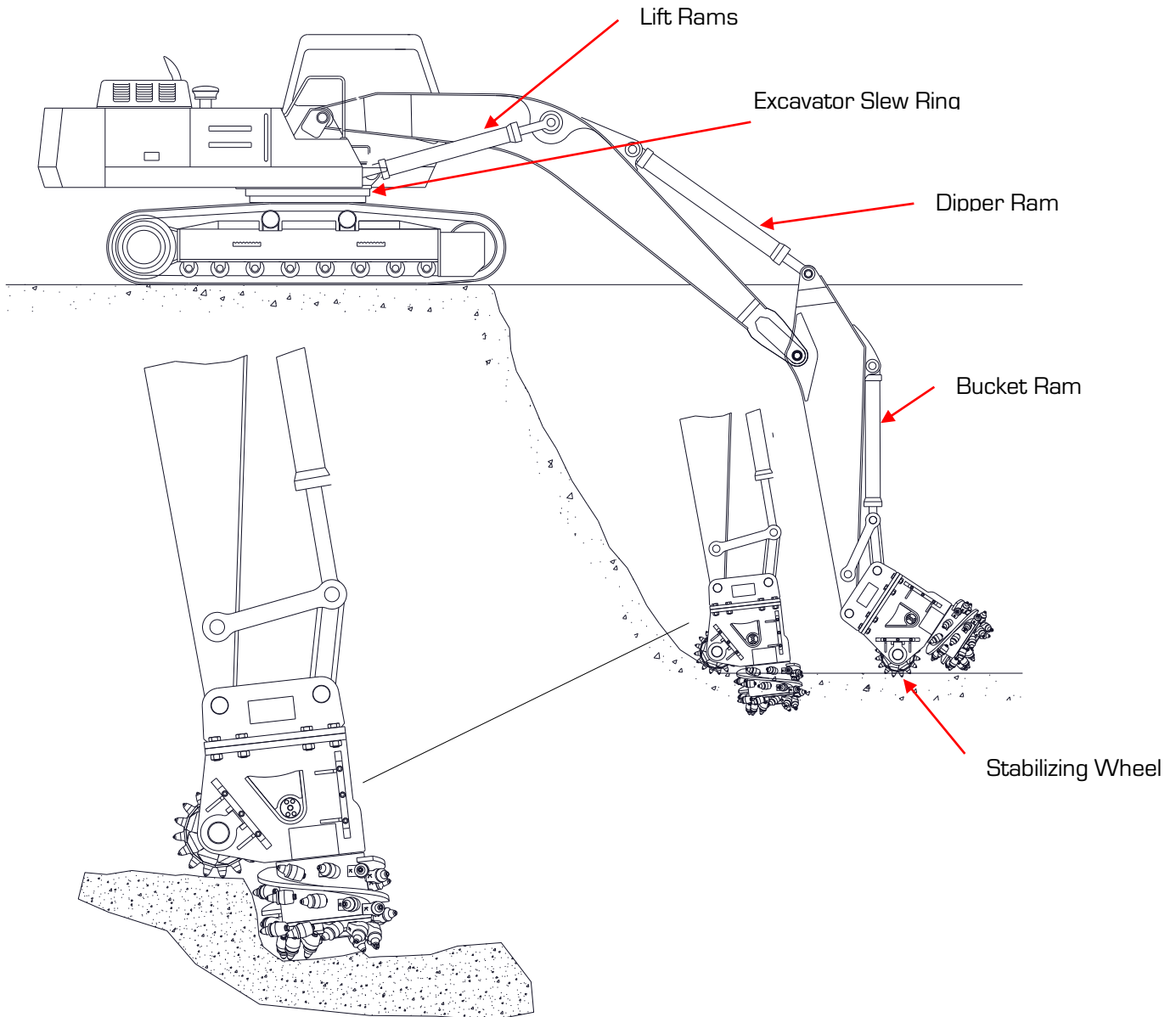
TECHNICAL SPECIFICATIONS ROCKWHEEL TC20

The Hydraulic Cutting Unit Rockwheel TC20 is specially designed for narrow trenching using 15 to 25 tons excavators.

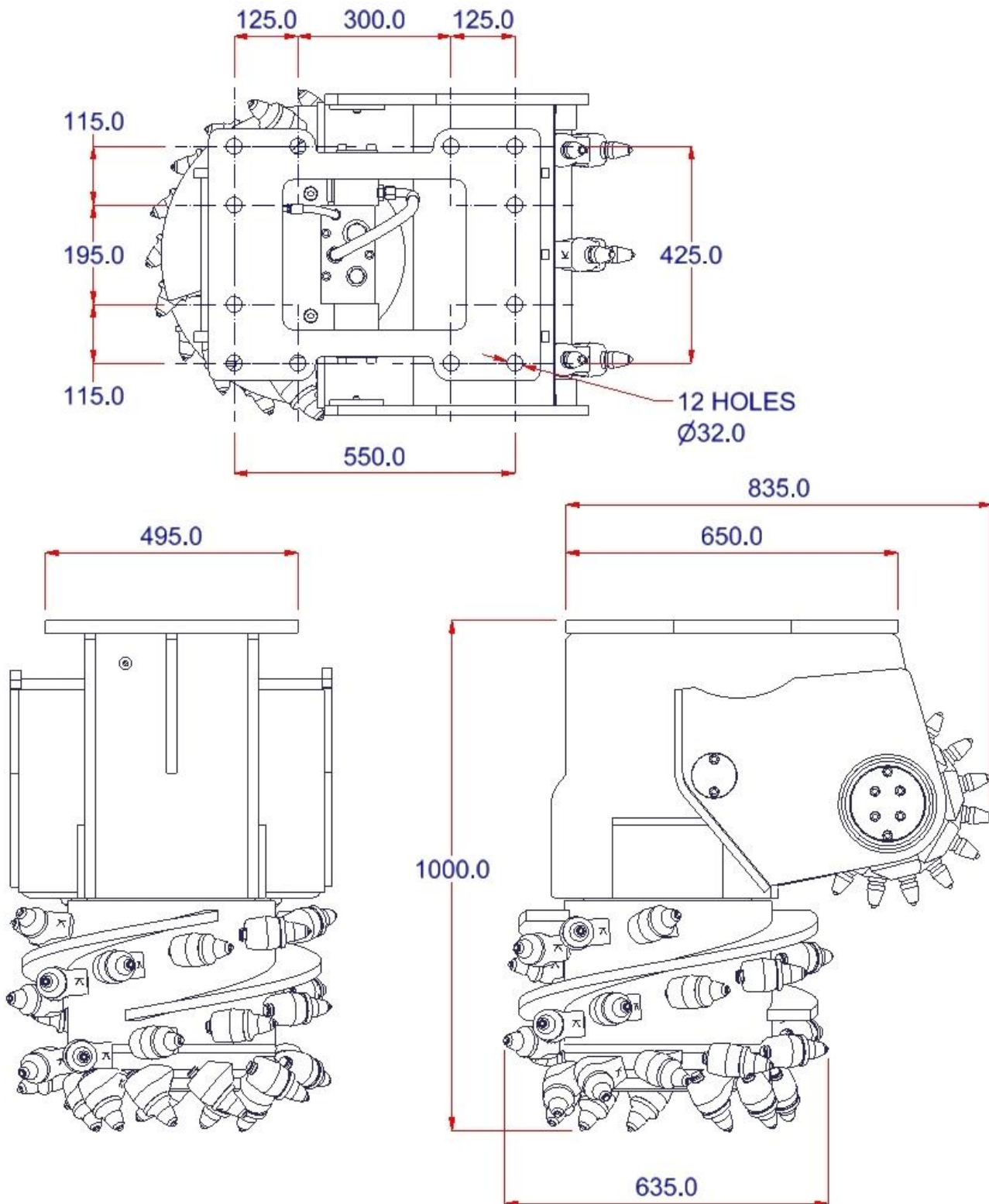
Hydraulic Power	70 kW
Maximum Oil Flow	320,0 l/min
Optimum Oil Flow	220,0 l/min
Maximum Pressure	400 bar
Cutter Torque	15.627 Nm @ 350 bar
Pick Force	48 kN @ 350 bar
Drum Speed	78,0 rpm @ 220 l/min
Pick Speed	2,2 m/s @ 220 l/min
Operating Weight	962 kg
Excavator Size	15 - 25 t
No. of Picks	32 (25,4 mm Shank)



The concept of the TC20 Axial Cutting Unit:



When the spoon cylinder is extended, the cutting unit is pressed into the ground, since the picks of the stabilizing wheel is supported in the ground. The cutting unit can now be used with minimal jolts for the rotary ring since the forces, resulting from rotation, are intercepted by the stabilizing wheel.



Rockwheel Cutting Units are designed and patented by Webster Technologies Ltd., UK.